

Nolte Küchen

Lightning / multimedia



LED light sets

including LED converter and switch

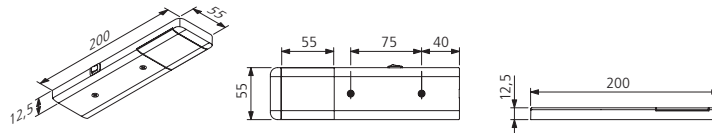
Model code



LED under-mounted lighting set
 consisting of:
1 x LED under-mounted lights 2,5 W (3000 k)
 with switch
2 x LED under-mounted lights 2,5 W (3000 k)
Energy efficiency class: A
 Light colour warm white
 2000 mm connecting lead
1 x LED converter (maximum 3 lights)
 1800 mm connecting lead
 Can not combined with LED-V 200

stainless steel look

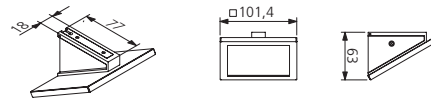
LED-SET-5



LED under-mounted lighting set
 consisting of:
1 x LED under-mounted lights 6 W (4000 k)
 Includes reflex sensor (Switching, dimming)
2 x LED under-mounted lights 6 W (4000 k)
Energy efficiency class: A
 White light tone
 2000 mm connecting lead
1 x LED converter (maximum 3 lights)
 2000 mm connecting lead

stainless steel look

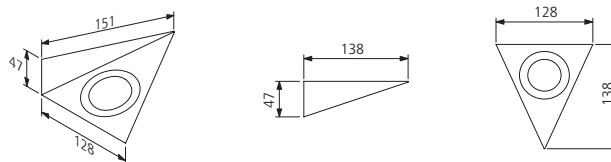
LED-SET-6



LED under-mounted lighting set - Colour Switch
 consisting of:
1 x LED under-mounted lights 3 W / 4,3 W (3000 k / 4000 k)
 with switch
2 x LED under-mounted lights 3 W / 4,3 W (3000 k / 4000 k)
Energy efficiency class: A
 Colour temperature and intensity selectable:
 warm white dimmed (3 W) or neutral white (4.3 W)
 2000 mm connecting lead
1 x LED converter (maximum 3 lights)
 2000 mm connecting lead

stainless steel look

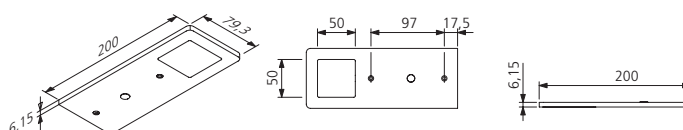
LED-SET-8



LED under-mounted lighting set - Colour Switch
 consisting of:
1 x LED under-mounted lights 3 W / 4,3 W (3000 k / 4000 k)
 with button
2 x LED under-mounted lights 3 W / 4,3 W (3000 k / 4000 k)
Energy efficiency class: A
 Colour temperature and intensity selectable:
 warm white dimmed (3 W) or neutral white (4.3 W)
 2000 mm connecting lead
1 x LED converter (maximum 3 lights)
 2000 mm connecting lead

stainless steel look

LED-SET-9



LED light sets

including LED converter and switch

Model code

Light colour warm white

Emotion technology provides a smooth adjustment of the colour temperature between warm (3000 k) and cold white (6000 k).



Built-in LED light set

58 mm hole diameter
complete with mounting ring

consisting of:

3 x LED built-in spotlight, 2,5 W (3000-6000 k)

Energy efficiency class: A

2000 mm connecting lead

1 x LED converter (maximum 3 lights)

2000 mm connecting lead

1 x button (Switching, dimming and colour change)

1800 mm connecting lead

stainless steel look

LED-SET-2



May be combined with **LED-EMO-WAVE**

LED universal lighting set

consisting of:

3 x LED universal light, 4 W (3000-6000 k)

Energy efficiency class: A

2000 mm connecting lead

1 x LED converter (maximum 6 lights)

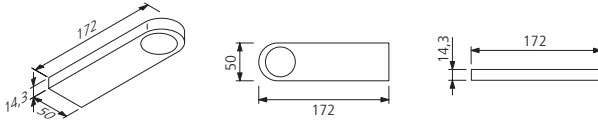
2000 mm connecting lead

1 x button (Switching, dimming and colour change)

1800 mm connecting lead

aluminium look

LED-SET-3


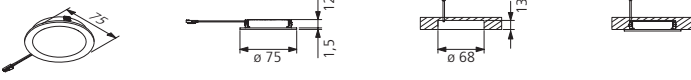

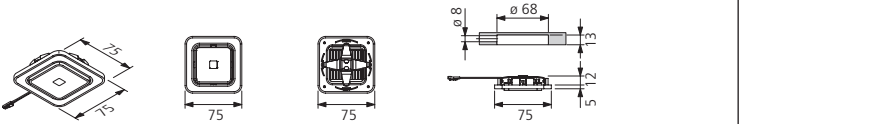


LED built-in light fixtures

Light colour warm white

Emotion technology provides a smooth adjustment of the colour temperature between warm (3000 k) and cold white (6000 k). Please include an LED Emotion set in the order for this

Model code

	<p>LED built-in spotlight Light source with opaque surface (LED dots not visible) for 68 mm drill hole, complete with mounting ring (Height 15 mm) 12 V DC, 4 W (3000-6000 k) Energy efficiency class: A 2000 mm connecting lead</p>	<p>stainless steel look</p>	<p>LED-EMO-SR68</p>
	<p>As before, including cutout in bottom</p>		
<p>Carcase width 250 - 600 mm 1 x LED built-in spotlight</p>		<p>stainless steel look</p>	<p>LED-EMO-SR68-U1</p>
<p>Carcase width 800 - 1200 mm 2 x LED built-in spotlight</p>		<p>stainless steel look</p>	<p>LED-EMO-SR68-U2</p>
<p>As before, including cutout in top shelf</p>			
<p>Carcase width 250 - 600 mm 1 x LED built-in spotlight</p>		<p>stainless steel look</p>	<p>LED-EMO-SR68-O1</p>
<p>Carcase width 800 - 1200 mm 2 x LED built-in spotlight</p>		<p>stainless steel look</p>	<p>LED-EMO-SR68-O2</p>
	<p>Fitted LED light fixture including cutout in bottom for 68 mm drill hole, radially swivelling 12 V DC, 3 W (3000-6000 k) Energy efficiency class: A 2000 mm connecting lead</p>		
<p>Carcase width 250 - 600 mm 1 x fitted LED light fixture</p>		<p>stainless steel look / white</p>	<p>LED-PAN-U1</p>
<p>Carcase width 800 - 1200 mm 2 x fitted LED light fixtures</p>		<p>stainless steel look / white</p>	<p>LED-PAN-U2</p>
<p>As before, including cutout in top shelf</p>			
<p>Carcase width 250 - 600 mm 1 x fitted LED light fixture</p>		<p>stainless steel look / white</p>	<p>LED-PAN-O1</p>
<p>Carcase width 800 - 1200 mm 2 x fitted LED light fixtures</p>		<p>stainless steel look / white</p>	<p>LED-PAN-O2</p>

LED built-in light fixtures

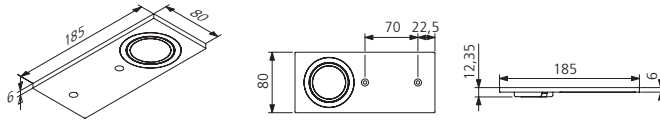
Light colour warm white

Emotion technology provides a smooth adjustment of the colour temperature between warm (3000 k) and cold white (6000 k).
Please include an LED Emotion set in the order for this

Model code



Fitted LED light fixture including cutout in bottom
68 mm hole diameter
Light source with opaque surface (LED dots not visible)
12 V DC, 3,5 W (3000-6000 k)
Energy efficiency class: A
2000 mm connecting lead



Carcase width 250 - 600 mm
1 x LED built-in spotlight

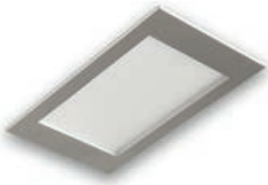
acrylic glass white / stainless steel look

LED-EMO-PANO-U1

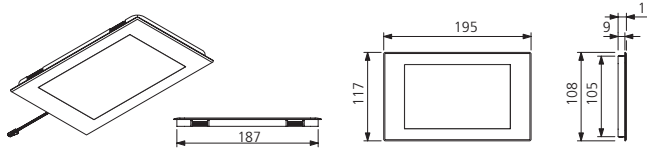
Carcase width 800 - 1200 mm
2 x LED built-in spotlight

acrylic glass white / stainless steel look

LED-EMO-PANO-U2



Fitted LED light fixture including cutout in bottom
12 V DC, 5,5 W (3000-6000 k)
Energy efficiency class: A
2000 mm connecting lead



Carcase width 250 - 600 mm
1 x fitted LED light fixture

stainless steel look

LED-PAD-U1

Carcase width 800 - 1200 mm
2 x fitted LED light fixtures

stainless steel look

LED-PAD-U2

As before, including cutout in top shelf

Carcase width 250 - 600 mm
1 x fitted LED light fixture

stainless steel look

LED-PAD-O1

Carcase width 800 - 1200 mm
2 x fitted LED light fixtures

stainless steel look

LED-PAD-O2

LED built-in light fixtures

Light colour warm white

Emotion technology provides a smooth adjustment of the colour temperature between warm (3000 k) and cold white (6000 k).
Please include an LED Emotion set in the order for this

Model code



Surcharge for LED-light shelf

Installed as replacement for the fixed base shelf
1 lit shelf, aluminium/satin-finish safety glass
with switch
12 V DC, LED Powerband (3000-6000 k)
Energy efficiency class: A
2000 mm connecting lead

1,8 W	LUB 30 -LED
3 W	LUB 40 -LED
3,6 W	LUB 45 -LED
4,2 W	LUB 50 -LED
5,4 W	LUB 60 -LED
7,8 W	LUB 80 -LED
9 W	LUB 90 -LED
10,2 W	LUB 100 -LED
12,6 W	LUB 120 -LED

Note:

Do not plan any light pelmets or panel systems under wall units equipped with **LUB...**!
Adjustable glass shelves are supplied instead of wooden shelves
for 2-door units **over 800 mm** wide!



Additional charge for shelf with handle trim and LED lighting

Installed as replacement for the fixed base shelf
12 V DC, LED Powerband (3000-6000 k)
Energy efficiency class: A

5,83 W	BGL-LUD-30
6,99 W	BGL-LUD-35
8,16 W	BGL-LUD-40
9,32 W	BGL-LUD-45
10,49 W	BGL-LUD-50
12,82 W	BGL-LUD-60
17,48 W	BGL-LUD-80
19,81 W	BGL-LUD-90
22,14 W	BGL-LUD-100
26,80 W	BGL-LUD-120

Note:

No light pelmets or panels can be placed under wall units
when **BGL-LUD...** option is selected!
Adjustable glass shelves are supplied instead of wooden shelves
for 2-door units **over 800 mm** wide!

LED built-in light fixtures

Light colour warm white

Model code

Emotion technology provides a smooth adjustment of the colour temperature between warm (3000 k) and cold white (6000 k).
Please include an LED Emotion set in the order for this



Built-in LED light set (2 lights)
including cutout in the carcass sides
12 V DC, LED Powerband (3000-6000 k) **Energy efficiency class: A**
Not available in combination with ATG...

for pivoting flap doors and folding flap door units with **glass**

Carcass height 600 mm	2 x 2,54 W	LED-LKK-60
Carcass height 750 mm	2 x 3,71 W	LED-LKK-75

for base and wall units with **glass door**

Carcass height 600 mm	2 x 3,71 W	LED-LKT-60
Carcass height 750 mm	2 x 4,88 W	LED-LKT-75
Carcass height 900 mm	2 x 6,05 W	LED-LKT-90

for tall units with **glass door**

Carcass height 1050 mm	2 x 7,22 W	LED-LKT-105
Carcass height 1350 mm	2 x 9,56 W	LED-LKT-135
Carcass height 1500 mm	2 x 10,73 W	LED-LKT-150

for open shelf units

Carcass height 300 mm	2 x 1,37 W	LED-LKR-30
Carcass height 450 mm	2 x 2,54 W	LED-LKR-45
Carcass height 600 mm	2 x 3,71 W	LED-LKR-60
Carcass height 750 mm	2 x 4,88 W	LED-LKR-75
Carcass height 900 mm	2 x 6,05 W	LED-LKR-90

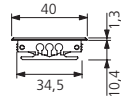
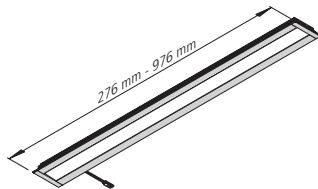
for units with louvres

Carcass height 1160 mm	2 x 6,05 W	LED-LKJ-115
Carcass height 1310 mm	2 x 7,22 W	LED-LKJ-130
Carcass height 1460 mm	2 x 8,39 W	LED-LKJ-145



Fitted LED light fixture
including cutout in bottom
Stainless steel look
12 V DC, LED Powerband (3000-6000 k)
Energy efficiency class: A+

for 300 mm width, 3,88 W	LED-EMO-LUL-30
for 400 mm width, 5,43 W	LED-EMO-LUL-40
for 450 mm width, 6,20 W	LED-EMO-LUL-45
for 500 mm width, 6,98 W	LED-EMO-LUL-50
for 600 mm width, 8,53 W	LED-EMO-LUL-60
for 800 mm width, 11,63 W	LED-EMO-LUL-80
for 900 mm width, 13,18 W	LED-EMO-LUL-90
for 1000 mm width, 14,73 W	LED-EMO-LUL-100
for 1200 mm width, 2 x 8,53 W	LED-EMO-LUL-120


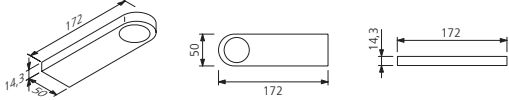

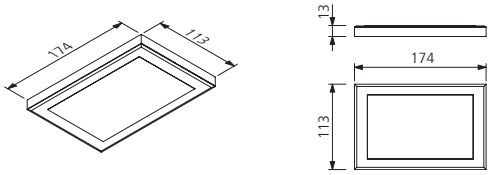

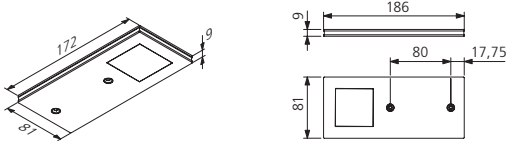

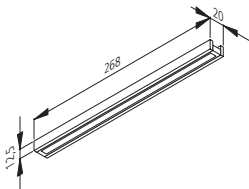


Surface-mounted / recessed LED light fittings

Light colour warm white

Emotion technology provides a smooth adjustment of the colour temperature between warm (3000 k) and cold white (6000 k).
Please include an LED Emotion set in the order for this

Model code

	<p>LED universal light can be used as over mounted or under mounted 12 V DC, 4 W (3000-6000 k) Energy efficiency class: A 2000 mm connecting lead</p> 	<p>aluminium look LED-EMO-WAVE</p>
	<p>LED Under unit lighting 12 V DC, 5,5 W (3000-6000 k) Energy efficiency class: A 2000 mm connecting lead</p> 	<p>stainless steel look LED-PAD-AR</p>
	<p>LED Under unit lighting with edge lighting 12 V DC, 4 W (3000-6000 k) Energy efficiency class: A 2000 mm connecting lead</p> 	<p>stainless steel / white plastic LED-EMO-FLAT</p>
	<p>LED Under unit lighting 12 V DC, 4 W (3000-6000 k) Energy efficiency class: A 2000 mm connecting lead</p> 	<p>stainless steel look / acrylic glass white LED-EMO-ORI</p>

LED lighting

Light colour warm white

Emotion technology provides a smooth adjustment of the colour temperature between warm (3000 k) and cold white (6000 k).
Please include an LED Emotion set in the order for this

Model code

Width



LED lighting - Shelf system CUBE

For installing below the upper or middle shelf
12 V DC, (3000-6000 k)
2000 mm connecting lead

Energy efficiency class: A

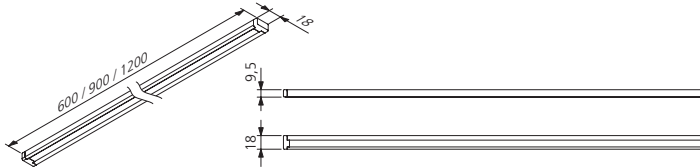
Available profile colours:

RA1 black

RA2 stainless steel look

for 600 mm width, 8 W
for width 900 mm, 12,5 W
for 1200 mm width, 17,5 W

LED-ALU-60
LED-ALU-90
LED-ALU-120



As before, but

incl. cable routing set and power supply housing

Connection cable can be routed through the cable routing set behind the open shelf unit (adds 4.5 mm behind the shelf unit)

Power supply housing only suitable for LED-EMO-FUNK... and LED-EMO-E-FUNK....

for 600 mm width, 8 W
for width 900 mm, 12,5 W
for 1200 mm width, 17,5 W

LED-ALU-SET-60
LED-ALU-SET-90
LED-ALU-SET-120



LED glass shelf lighting

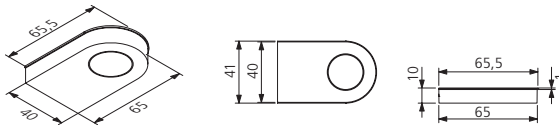
Emits light upwards and downwards
only suitable for glass thicknesses 5-8 mm
12 V DC, 0,8 W (3000-6000 k)

Energy efficiency class: A

1700 mm connecting lead

metallic grey

LED-EMO-POINT



LED wall shelf

Aluminium housing in stainless steel look

12 V DC, (3000-6000 k)

2000 mm connecting lead

Energy efficiency class: A

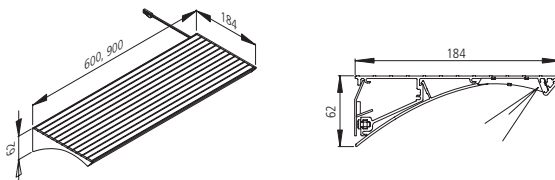
LED converter can be placed in the housing

2 x 72 LEDs, 9.3 W
Load capacity up to 6 kg

LED-EMO-WAB 60

2 x 108 LEDs, 14 W
Load capacity up to 9 kg

LED-EMO-WAB 90



LED lighting

Light colour warm white

Emotion technology provides a smooth adjustment of the colour temperature between warm (3000 k) and cold white (6000 k).
Please include an LED Emotion set in the order for this

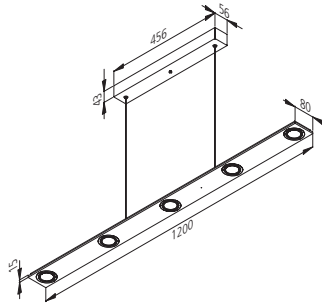
Model code

Width



LED pendant light
1200 mm wide
Light source with opaque surface (LED dots not visible)
12 V DC, 5 x 3,5 W (3000-6000 k)
Energy efficiency class: A
including LED convertor and radio remote control

Note:
in combination with LED-EMO-4-KANAL
Can not combined with LED-EMO-BLUE



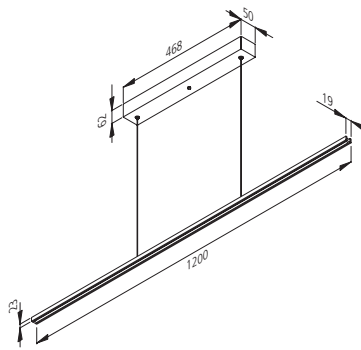
stainless steel /
acrylic glass white

LED-EMO-PW-PL5



LED pendant light
1200 mm wide
12 V DC, 16,8 W (3000-6000 k)
Energy efficiency class: A
including LED convertor and radio remote control

Note:
in combination with LED-EMO-4-KANAL
Can not combined with LED-EMO-BLUE



stainless steel look /
acrylic glass white

LED-EMO-OR-PL12

LED plinth lighting

Light colour warm white

Emotion technology provides a smooth adjustment of the colour temperature between warm (3000 k) and cold white (6000 k).

Please include an LED Emotion set in the order for this

Model code



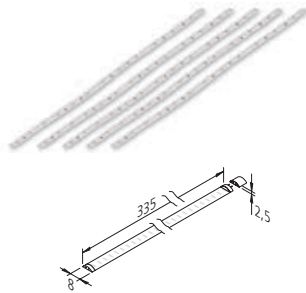
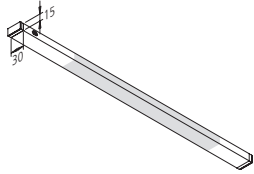
LED-Unit interior light, with sensor
aluminium
for installation in units with drawers / pull-outs
12 V DC, (4000 k)

Energy efficiency class: A
White light tone
2000 mm connecting lead

Not available with **Emotion technology**.

for 300 mm width, 1.95 W
for 400 mm width, 3.25 W
for 450 mm width, 3.90 W
for 500 mm width, 4.23 W
for 600 mm width, 5.53 W
for 800 mm width, 7.80 W
for 900 mm width, 9.10 W
for 1000 mm width, 10.08 W
for 1200 mm width, 12.68 W

LED-SIL-AL-30
LED-SIL-AL-40
LED-SIL-AL-45
LED-SIL-AL-50
LED-SIL-AL-60
LED-SIL-AL-80
LED-SIL-AL-90
LED-SIL-AL-100
LED-SIL-AL-120



5 light SET Strip-LED-FLEX

self adhesive, flexible LED-strip modules to form individual light bands
easy installation using double sided tape
individually shortened (marked under the adhesive tape)
Length of Strip-LED-Flex: 335 mm
12 LEDs: 12 V DC, 0,8 Watt (3000-6000 k)

Energy efficiency class: A
2000 mm connecting lead
1 x 40 mm extension cable for corner solution

LED-STRIP-5

as before, with 6 light SET

LED-STRIP-6

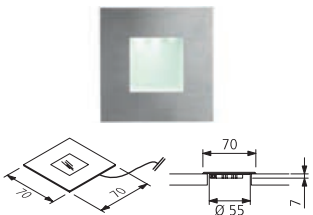
as before, with 7 light SET

LED-STRIP-7

Connecting cable for Strip-LED-FLEX

for connection to single strip modules
12 V DC, 1500 mm length

LED-STRIP-V



LED plinth light

Installation in plinth panels
Stainless steel frame 2 mm, white glass cover,
Immersion depth 7 mm
Minimum plinth height 120 mm
with integrated plug connection
LED lighting 12 V DC 0.3 W (3000-6000 k)

Energy efficiency class: A
2000 mm extension cable

stainless steel

LED-QUADRO

LED-ambient lightning

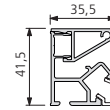
Emotion technology provides a smooth adjustment of the colour temperature between warm (3000 k) and cold white (6000 k).
Please include an LED Emotion set in the order for this

Model code



Profile strip with LED ambient lighting profiled rail with 2 end caps, length 400 - 4900 mm
LED lighting 12 V DC, 7,2 W per metre (3000-6000 k)
Energy efficiency class: A+
2000 mm connecting lead (supply on left)

Basic price up to 1000 mm
per additional 100 mm

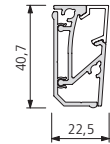


RLED-PROFIL-EMO



Upstand with LED ambient lighting profiled rail with 2 end caps, length 400 - 4900 mm
LED lighting 12 V DC, 7,8 W per metre (3000-6000 k)
Energy efficiency class: A+
2000 mm connecting lead (supply on left)

Basic price up to 1000 mm
per additional 100 mm



WPLED-PROF-EMO

Note:
Observe 100 mm minimum distance to hob!



Corner joint profile 20 x 20 mm
90° inside corner for planning
L- and U-shaped kitchens

WPLED-END-90

LED connecting elements

	Model code
 <p>LED Emotion wireless set 12 V consisting of:</p> <p>1 x LED convertor - 30 W / 60 W with integrated 6-way distributor and Emotion-wireless receiver module 2000 mm connecting cable with Euro flat plug 1 x Radio remote control</p>	<p>30 W LED-EMO-FUNK-1</p> <p>60 W LED-EMO-FUNK-2</p>
 <p>LED Emotion wireless extension set 12 V consisting of:</p> <p>1 x LED convertor - 30 W / 60 W with integrated 6-way distributor and Emotion-wireless receiver module 2000 mm connecting cable with Euro flat plug</p> <p>Note: These products are used for upgrading LED-EMO-FUNK-1 or LED-EMO-FUNK-2. These products can also be operated by LED-EMO 4-channel remote control. Only one remote control can be programmed per converter.</p>	<p>30 W LED-EMO-E-FUNK1</p> <p>60 W LED-EMO-E-FUNK2</p>
 <p>LED Emotion 4-channel remote control To control up to 4 LED Emotion sets Infinitely variable adjustment of the light temperature (3000-6000 k) Auto memory: brightness and light temperature settings are stored. Dimmer function for Emotion / 2 lighting scenes can be stored All functions are individually adjustable for each light group</p>	<p>LED-EMO-4-KANAL</p>
 <p>LED Emotion Bluetooth module For upgrading the converters for control via smartphone app (Bluetooth link). Can be used for LED-EMO-FUNK... and LED-EMO-E-FUNK...</p>	<p>LED-EMO-BLUE</p>
 <p>ZigBee Gateway Certified ZigBee Alliance product, which can be integrated into smart home systems that also use the ZigBee standard without difficulty. With this, light can be controlled via a central device, e.g. smart phone or tablet. Can be combined with LED-EMO-FUNK... and LED-EMO-E-Funk...</p>	<p>LED-EMO-GATE-ZB</p>
 <p>LED-Emotion-Touch-Set 12 V consisting of:</p> <p>1 x LED convertor - 30 W / 60 W 2000 mm connecting cable with Euro flat plug 6/12 way junction, 300 mm connecting lead 1 x Emotion dimmer including reflex sensor 1000 mm connecting lead</p>	<p>30 W / 6 way junction LED-EMO-TOU-1</p> <p>60 W / 12 way junction LED-EMO-TOU-2</p>
 <p>LED Emotion extension set 12 V consisting of:</p> <p>1 x LED convertor 2000 mm connecting cable with Euro flat plug 1 x control unit for dimmer 6 way junction, 450 mm connecting lead</p>	<p>30 W LED-EMO-E</p>

LED connecting elements

	Model code
 <p>LED converter 12 V 2000 mm connecting cable with Euro flat plug 6 way junction Switching possible by HAL-T-SW, HAL-SENSOR-LED, FUNKSENSOR</p>	30 W LED-T1
 <p>LED converter 12 V 2000 mm connecting cable with Euro flat plug 12 way junction Switching possible by HAL-T-SW, HAL-SENSOR-LED, FUNKSENSOR</p>	60 W LED-T2
 <p>Toggle switch, round Stainless steel look plastic housing, black switch 2000 mm lead length with Euro flat plug and Euro flat connector for LED converter</p>	Toggle switch HAL-T-SW
 <p>LED sensor switch One-touch switch with infrared sensor (lead length 2000 mm) Connected load: maximum 550 W Switch unit with Euro flat plug (lead length 3000 mm) and Euro flat connector (lead length 500 mm) for LED converter</p>	Sensor switch HAL-SENSOR-LED
 <p>Mini remote switching unit with fitting ring and receiver aluminium look Cordless switching by radio sensor with control LED, 35 mm Ø Switch unit with Euro flat plug (lead length 2000 mm) and Euro flat connector (lead length 2000 mm) for LED converter</p>	Radio transmitter FUNKSENSOR
 <p>3-way distributor for 230V consisting of: 3 x Euro flat connector with 300 mm connecting lead 1 x Euro flat plug with 1900 mm connecting lead</p>	LZ-VT3
<p>Extension cable for LED lights between LED and LED converter 2000 mm length</p>	LED-V 200

Glass shelf supports with LED-lighting Workplace light fittings

Model code

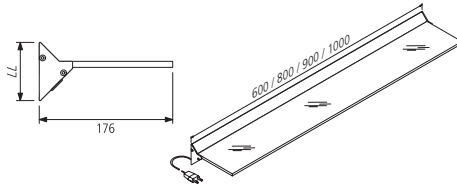


Glass shelf supports with LED-lighting

aluminium look
White light tone
Built-in rocker switch, LH connection
Energy efficiency class: A+
2000 mm connection lead (3 x 0.75)
Includes continental plug for on site installation

3 kg / 12 V DC, 3 W
4 kg / 12 V DC, 4 W
4,5 kg / 12 V DC, 4,5 W
5 kg / 12 V DC, 5 W

GLBTR 60
GLBTR 80
GLBTR 90
GLBTR 100



LED Under unit lighting with switch

aluminium look
White light tone (4000 k)
Energy efficiency class: A
2000 mm connecting lead (supply on left)
incl. connecting lead (150 mm) for connection of a second light

350 mm wide / 5 W

580 mm wide / 10 W

910 mm wide / 15 W

LED-LAP-350

LED-LAP-580

LED-LAP-910

